

### Features

- For use with the K-18829 2" x 4" in-wall tank and carrier system
- Auto-flush technology monitors a person's use time and determines if a 0.8 or 1.6 gpf (3.0 or 6.0 lpf) flush volume is needed
- Large flush actuator plate is easily removed, allowing access to inner tank and flush valve for service
- Soft light from behind perimeter of flush plate serve as a nightlight in low-light conditions
- Manual backup flush button in the event of power failure
- Fingerprint-resistant finish stays clean longer

### Material

- Premium material construction for durability and reliability
- KOHLER finishes resist corrosion and tarnishing

### Installation

- Requires K-8108 Pneumatic Conversion In-Wall Kit (sold separately)

### Required Products/Accessories

For wall-mount installation

K-26572 Power accessory kit for touchless flush actuator plates

K-8108 Pneumatic conversion kit for in-wall tank



ADA CSA B651 OBC

### Codes/Standards

ADA

ICC/ANSI A117.1

CSA B651

OBC

### KOHLER® Toilets and Seats Limited Warranty

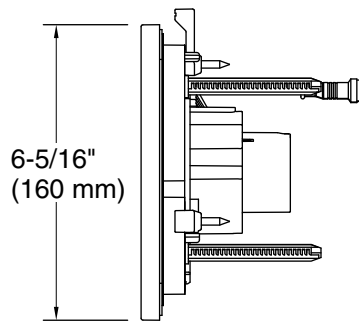
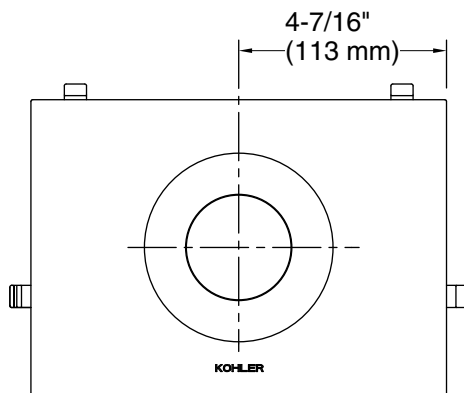
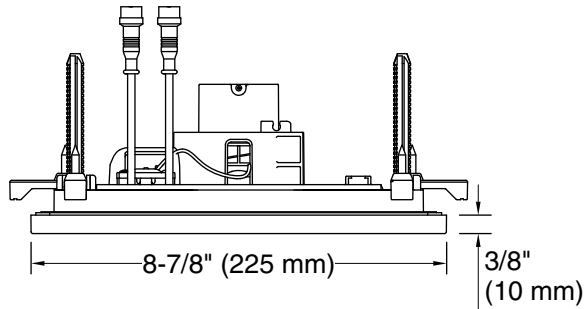
See website for detailed warranty information.

### Available Colors/Finishes

*Color tiles intended for reference only.*

| Color | Code | Description |
|-------|------|-------------|
|-------|------|-------------|

|   |    |                   |
|---|----|-------------------|
|  | BS | Brushed Stainless |
|---|----|-------------------|



### Technical Information

All product dimensions are nominal.

Installation Type: Wall-mount

Material: Plastic

### Notes

ADA, OBC, CSA B651 compliant when installed to the specific requirements of these regulations.